

People have Priority



# Oral surgery & Implantology



# Oral surgery & Implantology

Company	4–5
Product overview 1 Implantmed, Surgical straight and contra-angle handpieces, Elcomed	6–7
Product overview 2 Surgical straight and contra-angle handpieces with generator, Prosthodontic screwdriver, Surgical saw handpieces	8–9
Product overview 3 Piezomed, Piezomed instruments	10–11
Implantmed	12–13
Surgical straight and contra-angle handpieces	14–15
Elcomed	16–17
Surgical straight and contra-angle handpieces with generator	18–19
Prosthodontic screwdriver	20–21
Surgical saw handpieces	22–23
Piezomed	24–25
Technical data	26–32
Accessories for Implantmed, Elcomed, Piezomed	33



W&H Dentalwerk  
Bürmoos



W&H Sterilization  
Brusaporto



The stakes are high.  
We work with people.

Backbone doesn't come from the stock exchange:  
W&H has been a family-owned company for generations.  
This is the origin of the spirit of innovation that develops  
devices such as Implantmed, Elcomed and Piezomed.

The secret of our success: W&H has always placed  
people – regardless of whether they are partners,  
customers, patients or employees – in the centre.  
See for yourself – it's no longer a secret!  
We don't want to keep any secrets from you.

### People have Priority

**W&H at a glance**

- > Head office in Austria
- > 980 employees worldwide
- > 80 teams
- > Established 1890 in Berlin  
by Jean Weber and Hugo Hampel
- > 3 production facilities
- > 19 subsidiaries in Europe and Asia
- > Export share over 95%

For more information see  
[wh.com](http://wh.com)

Benefit from  
maximum precision.



With reliable solutions for Oral surgery & Implantology by W&H.



Surgical devices



Straight & contra-angle  
handpieces



Piezomed instruments



Prosthetic Screwdriver



Saw handpieces

Now available from your dental supplier or via [wh.com](http://wh.com)



»The combination of Implantmed and Osstell ISQ module ensures improved treatment safety for me and my patients.«

Dr. med. dent. Fred Bergmann,  
dentist specializing in oral surgery.

**Your advantages at a glance**

- > Intuitive user interface
- > New pump design
- > Ultra-short, powerful electric motor with 6.2 Ncm torque
- > Motor speed range: 200 up to 40,000 rpm
- > W&H Osstell ISQ module (available as an accessory) for a precise measurable implant stability
- > Automatic torque control: 5 up to 80 Ncm
- > Automatic thread cutter function
- > Electric motor with cable, thermo washer disinfectable and sterilizable



More info  
on page 12



»Beautifully machined for quality and balance. Superb LED light that set a benchmark for visibility.«

Nicholas Claydon BDS MscD PhD MJDF RCS (eEng) FHEA,  
specialist in periodontology and implantology.

**Your advantages at a glance**

With mini LED+ and W&H connection

- > Matched to Implantmed SI-1023, SI-1015 and SI-1010
- > Optimal illumination at all stages of the work
- > Fatigue-free working thanks to ergonomic balance
- > Robust and long service life due to high-quality stainless steel with scratch-resistant coating
- > Work with daylight quality
- > Natural reproduction of red tones
- > Can be dismantled for thorough cleaning
- > Thermo washer disinfectable and sterilizable
- > May only be used with W&H electric motor EM-19



More info  
on page 14



»There is no time for compromises during the surgical procedure. Elcomed is clearly number 1 in the operating theatre.«

PD Dr. Jörg Neugebauer,  
dentist specializing in oral surgery.

**Your advantages at a glance**

- > All information in one user level
- > Complete documentation via USB flash drive
- > Shortest and lightest motor with 50,000 rpm
- > Up to 80 Ncm on the rotary instrument
- > 6 programs with individually adjustable parameters
- > Automatic thread cutter function
- > Motor with cable, thermo washer disinfectable and sterilizable



More info  
on page 16



»Ideal for Implantmed and Elcomed:  
precise and reliable!«

Dr. Alexander Schatzdorfer,  
dentist with his own practice.

**Your advantages at a glance**

With and without mini LED+

- > Fatigue-free working thanks to optimal ergonomics
- > Durable and robust due to high-quality stainless steel and scratch-resistant coating
- > Can be dismantled for thorough cleaning (except WI-75 E/KM)
- > Thermo washer disinfectable and sterilizable

With mini LED+

- > Work with daylight quality
- > Natural reproduction of red tones
- > Independent power supply with integrated generator
- > Longer life compared to conventional halogen bulbs



Surgical straight  
and contra-angle  
handpieces  
with generator

More info  
on page 18



»The prosthodontic screwdriver  
with torque control!  
It tightens the retaining screw  
to the perfect tightness.«

Dr. Alexander Schatzdorfer,  
dentist with his own practice.

**Your advantages at a glance**

- > Torque control for risk-free tightening of the retaining screw
- > Automatic stopping when the adjusted torque is reached
- > Constant speed saves time
- > Cordless for ease of use
- > Small head for the best view
- > Torque wrenches and ratchets are now redundant



IA-400

More Info  
on page 20



»Fast cutting without vibration.  
Also for use with local anaesthetics.«

PD Dr. Jörg Neugebauer,  
dentist specializing in oral surgery.

**Your advantages at a glance**

- > Innovative saw blade shape for outstanding cutting performance
- > One drive speed for all 3 saw types
- > Durable and robust due to high-grade stainless steel and scratch-resistant coating
- > For sagittal, oscillating or reciprocal movement
- > Range of saw blades for all surgical applications
- > Low vibration and exceptionally quiet
- > Can be dismantled for thorough cleaning
- > Thermo washer disinfectable and sterilizable



Surgical  
saw handpieces

More info  
on page 22



»Incredible – cuts through bone like butter.«

Dr. Ulrich Fürst,  
specialist in oral surgery.

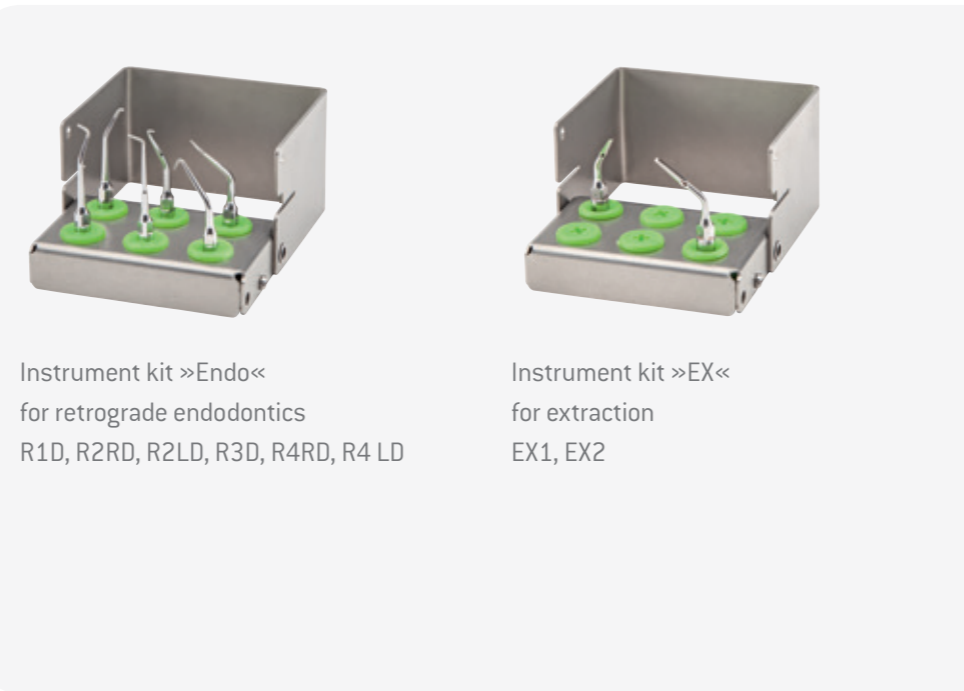
**Your advantages at a glance**

- > Automatic instrument detection
- > Three individual operating modes »Power«, »Basic« and »Smooth«
- > Temporary 20% power increase thanks to boost function
- > Ideal illumination of the operating site through LED ring illumination
- > Efficient cooling thanks to spray opening close to the instrument's working area
- > Handpiece with LED socket and cable, thermo washer disinfected and sterilizable



Piezomed

More info  
on page 24



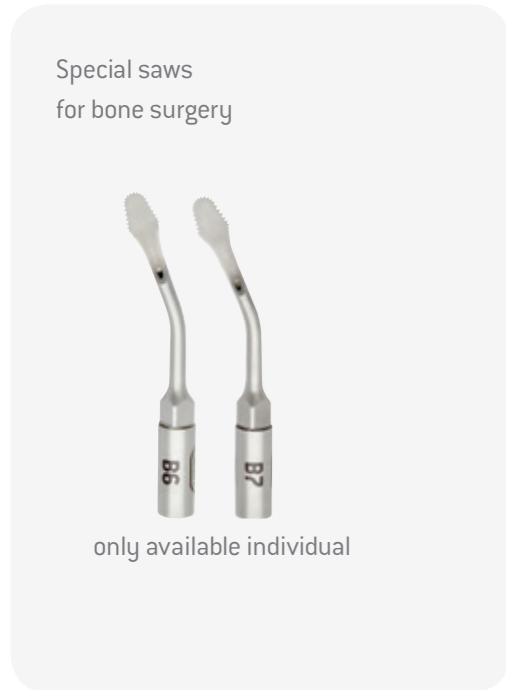
Instrument kit »Endo«  
for retrograde endodontics  
R1D, R2RD, R2LD, R3D, R4RD, R4 LD

Instrument kit »EX«  
for extraction  
EX1, EX2

**Your advantages at a glance**

- > Range of innovative instruments for bone surgery, periodontology and extraction, retrograde endodontics as well as for lateral sinus lift, preparation of the implant site and special crestal applications
- > Improved cutting performance thanks to special tothing on the bone blades
- > Extremely high cutting performance and time savings due to the new special saw's thin blade
- > Flexibility and individuality in working
- > Thermo washer disinfected and sterilizable

Piezomed  
instruments



Special saws  
for bone surgery

only available individual



Instrument kit »Bone«  
for bone surgery  
B1, B2R, B2L, B3, B4, B5

Instrument kit »Paro«  
for periodontology and extraction  
P1, P2RD, P2LD

Instrument kit »SPECIAL«  
for special applications  
S1, S2, S3, S4, S5

Instrument kit »Implant/Crestal P«  
for preparation of the implant site  
I1, I2P, I3P, I4P, Z25P, Z35P

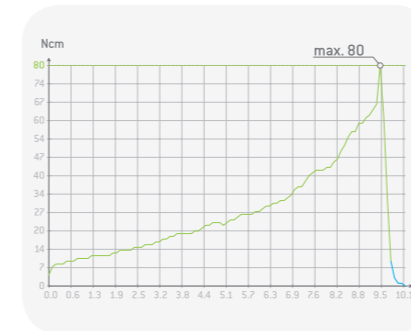
Instrument kit »Implant/Crestal A«  
for special crestal applications  
I1, I2A, I3A, I4A, Z25P, Z35P

Implantmed



## For a simple work process

**Safe, simple and flexible.** Implantmed impresses users with its intuitive user interface and simplifies your treatment process. Every single Implantmed stands for top quality, precision and safety.



**Secure placement**  
The automatic torque control guarantees the required security. It can be adjusted from 5 to 80 Ncm.



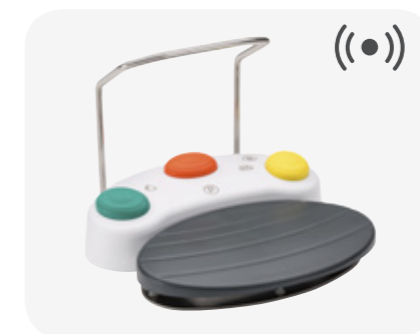
**Measurable stability**  
Implant stability can be measured precisely with the W&H Osstell ISQ module, available as an accessory.



**With intuitive ease**  
Colour touch screen with user-friendly menu guidance and glass surface for easy cleaning.



**For the dental assistant**  
The new pump design makes insertion of the coolant hose secure and quick.



**Absolute freedom of movement**  
With the wireless foot control you can select the optimum position in the work area without restrictions. This means complete safety in the treatment area.



**One for all**  
Control the functions of the Implantmed and Piezomed with only one foot control.

## Surgical straight and contra-angle handpieces for Implantmed SI-1023, SI-1015, SI-1010

**WS-75 L | 20:1**

Specially designed for preparation of the implant site and implant insertion.

**S-11 L | 1:1**

The first choice for apical resection, osteotomy, sequestrotomy, bone modelling and bone smoothing and also for extraction of wisdom teeth.

**WS-91 L | 1:2,7**  
45° head

Specially designed to improve access in the premolar and molar region.

**WS-56 L | 1:1**  
**WS-92 L | 1:2,7**

Designed for osteotomy, sequestrotomy, germectomy, hemisection.



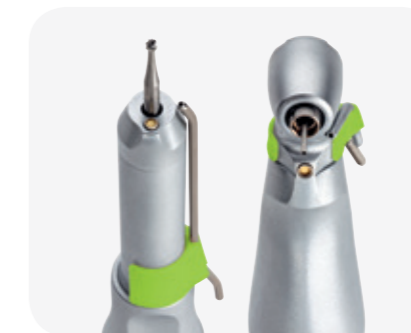
## Fatigue-free and flexible operation

**Durable, ergonomic and robust.** Whether you are inserting an implant or extracting a wisdom tooth, you can be sure of optimum cooling and illumination of the treatment site. High-quality stainless steel with a scratch-resistant coating makes the surgical straight and contra-angle handpieces robust and gives them a particularly long service life.



### Fatigue-free operation

Combination with the ultra-short EM-19 electric motor allows long periods of work without fatigue.



### Optimal illumination

Thanks to it being half the size of a normal LED, the mini LED+ can be integrated very close to the tip and offers optimal illumination.



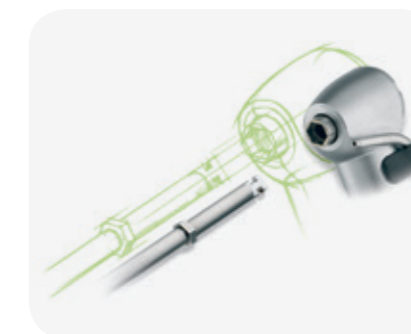
### Variable cooling

There are spray clips available for the left and right. This means that cooling can be adapted to the individual requirements.



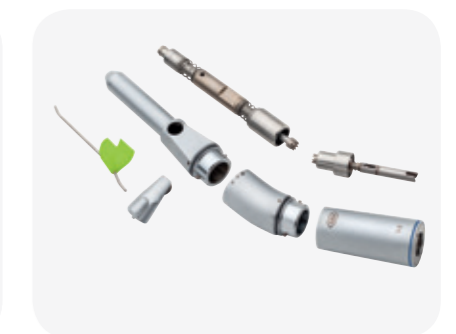
### Scratch-resistant surface

The unique coating protects the straight and contra-angle handpiece from scratches. This facilitates cleaning and preserves the value.



### Hexagon chucking system

The hexagon chucking system developed and patented (EU, USA) by W&H ensures safe use even at high torques.



### Perfect cleaning

To satisfy the stringent hygiene requirements, the straight and contra-angle handpieces can be dismantled.



Elcomed

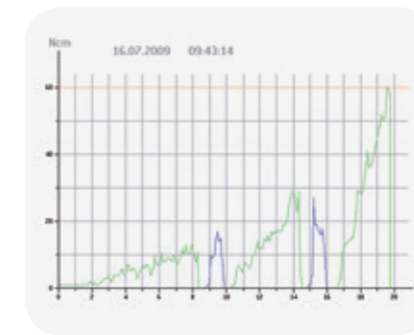


## Number 1 in the operating theatre

**Safe, reliable, powerful.** The W&H Elcomed has been designed specifically to meet the requirements of maxillofacial surgery, dental surgery and implantology.



**Everything at a glance**  
Revolutions per minute, torque and selected coolant flow rate all at one user level.



**Complete documentation**  
Every step of the treatment is saved to a USB flash drive. The data is accessible at any time.



**Automatic thread cutter function**  
Prevents excessive bone compression while screwing in the implant.



**Convenient foot control**  
The multifunctional foot control allows sterile working and optimum freedom for your hands.



**An amazing motor**  
Shortest and lightest motor with 50,000 revolutions per minute.



**SPI Dongle – Upgrade at any time**  
Control the functions of Elcomed with the wireless foot control, available as an accessory.

## Surgical straight and contra-angle handpieces with generator



The contra-angle handpieces WS-91 and WS-91 L G with 45° head unite the advantages of straight and contra-angle handpieces. The 45° angle allows considerably better access and considerably better visibility of the treatment site. This is particularly helpful in the surgical extraction of

wisdom teeth, precise tooth separations and apical resections. This makes palatal access to the maxillary molars much simpler, even with a small mouth opening. In contrast, in buccal applications, there is more space between the cheek and the operating site. At the same time, the view is barely affected.

Depending on the drive speed, the ratio of 1:2.7 makes it possible to achieve speeds of up to 135,000 revolutions per minute on the rotating instrument. A triple spray guarantees sufficient cooling of the rotating instrument and the tooth.

## Leader in LED technology

**Clear, bright and wide field of view.** Excellent lighting conditions facilitate accurate diagnoses and perfect treatment results. The surgical straight and contra-angle handpieces with mini LED+ produce light independently. An integrated generator supplies the LED in the instruments with power.



WS-75 (without light)  
WS-75 L G (with mini LED+)  
Models specially designed for implantation.



WS-56, WS-92 (without light),  
WS-56 L G, WS-92 L G (with mini LED+)  
These models are outstanding for difficult surgical procedures.



WS-91 (without light)  
WS-91 L G (with mini LED+)  
The 45° angle allows considerably better access and considerably better visibility of the treatment site.



S-9, S-11 (without light)  
S-9 L G, S-11 L G (with mini LED+)  
The first choice for complex jaw procedures.



S-10, S-12, S-15 (without light)  
Improves the view of areas where access is difficult.



WI-75 E/KM (without light)  
Model specially designed for implantation.

# Prosthetic screwdriver

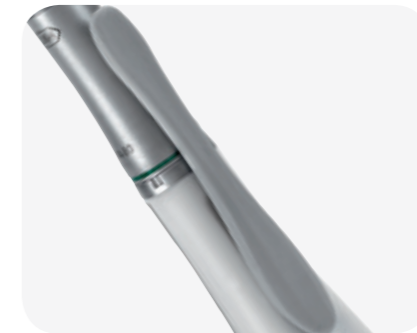


## For precise torque control

**Practical, fast and no risk.** The single-handed operation means the cordless prosthetic screwdriver is fast and, most importantly, safe and provides the best possible view of the treatment site.



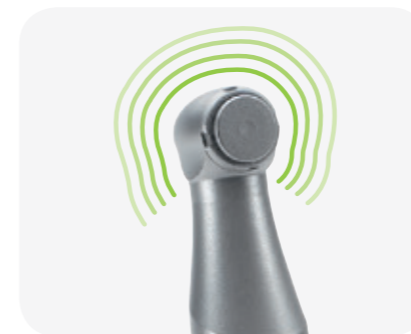
**Precise torque control**  
Adjustable from 8 to 40 Ncm in 1 Ncm steps. This allows precise, risk-free tightening of retaining screws.



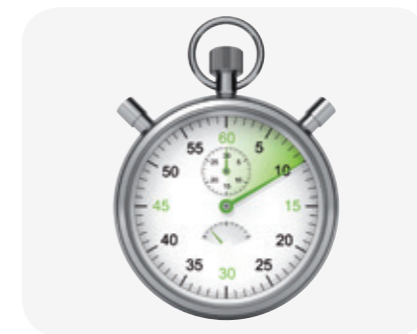
**Key pad**  
Activate the prosthetic screwdriver with the key pad.



**Cordless operation**  
No obstacles for your prosthetic screwdriver with modern Li-Ion battery technology.



**Small head for a clear view**  
Nothing blocks your view of the treatment site.



**Constant speed saves time**  
At 25 revolutions per minute it takes less than 10 seconds to tighten a retaining screw.



**Lubricated for life**  
The thermo washer disinfected and sterilizable contra-angle handpiece is lubricated for life and must not be oiled.

# Surgical saw handpieces



# For outstanding cutting power

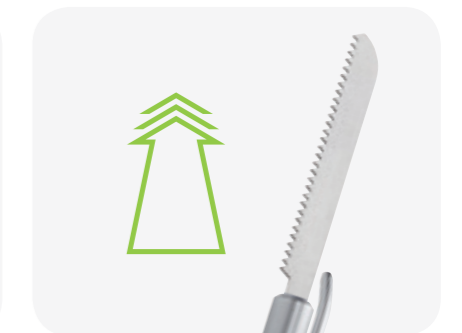
**Fast, powerful and durable.** The saw handpieces have been specially designed for conversion osteotomies and bone harvesting. Even after many years of use at maximum speed, consistently high cutting performance is still guaranteed.



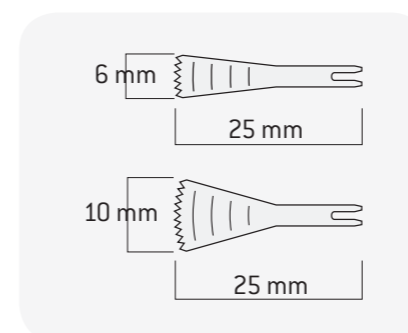
S-8 S with sagittal motion  
Cutting direction parallel to the axis,  
low vibration, dismantlable



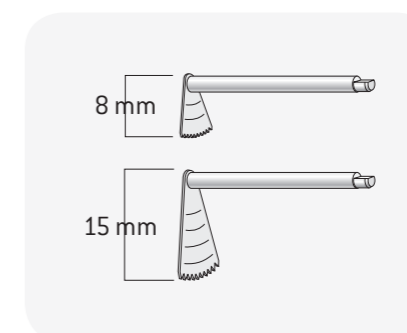
S-8 O with oscillating motion  
Cutting direction 90° to the axis,  
low vibration, dismantlable



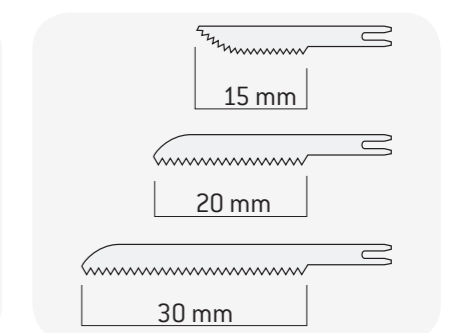
S-8 R with reciprocating motion  
Forward / reverse cutting direction,  
low vibration, dismantlable



Sagittal saw blades for S-8 S  
width 6 mm or 10 mm,  
incl. depth gauge on the saw blade  
(2.5 mm graduations),  
available as single pack or five pack



Oscillating saw blades for S-8 O  
height 8 mm or 15 mm,  
incl. depth gauge on the saw blade  
(2.5 mm graduations),  
available as single pack



Reciprocating saw blades for S-8 R  
length 15 mm, 20 mm or 30 mm,  
crosswise tooth setting for  
increased cutting power,  
available as single pack or five pack

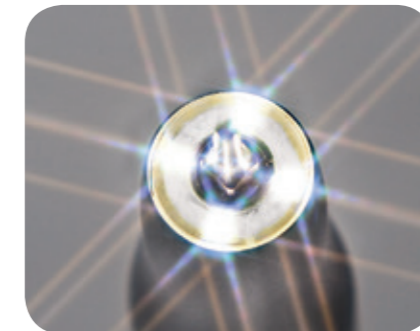


## The new force in bone surgery

**Minimally invasive, maximum power.** Piezomed facilitates the surgeon's work: thanks to innovative ultrasound technology, only bone substance is resected with high precision. The surrounding soft tissue remains uninjured. A noticeable relief for the patient: less pain, quicker healing!



**Automatic instrument detection**  
Piezomed detects the instrument during insertion and sets the correct power class automatically.



**Innovative LED ring illumination**  
The shadow-free light ensures ideal illumination of the operating site.



**Improved cutting precision**  
A new, specialized tooth design guarantees precision cutting and saves time!



**Extremely powerful and fast**  
The boost function can be used to increase the set basic power by 20% for a short period of time.



**Efficient cooling**  
The spray exits near the instrument's area of activity and cools the operating site extremely efficiently.



**SPI Dongle – Upgrade at any time**  
Control the functions of Piezomed with the wireless foot control, available as an accessory.



Type:	SI-1023	SI-1015	SI-1010
Mains voltage:	230 V	120 V	100 V
Permissible voltage fluctuation:	220 – 240 V	110 – 130 V	90 – 110 V
Rated current:	0.3 – 0.8 A	0.3 – 1.6 A	0.3 – 1.4 A
Frequency:	50 – 60 Hz		
Mains fuse (2 pcs):	250 V – T1.6AH		
Maximum power consumption:	170 VA		
Maximum power output:	80 W		
Maximum torque at motor:	6.2 Ncm		
Motor speed range in the rated voltage range:	200 – 40,000 min <sup>-1</sup>		
Coolant flow volume at 100%:	at least 90 ml/min		
Length of motor cable:	1.8 m / 3.5 m		
Dimensions in mm (height x width x depth):	100 x 262 x 291		
Foot control:	S-N2 / S-NW		
Straight and contra-angle handpieces with mini LED+:	S-11 L / WS-56 L, WS-75 L, WS-91 L, WS-92 L		
Warranty:	24 months		

## Straight handpiece with mini LED+ and W&H connection



Type:	S-11 L
Transmission ratio:	1:1
Coupling system:	W&H EM-19 LC / EM-19
Lighting system:	mini LED+
Spray:	external
Chucking system:	lever chuck
Rotary instruments:	for surgical burs and cutters Ø 2.35 mm*
Permitted bur length:	45 mm
Maximum drive speed:	50,000 min <sup>-1</sup>
Can be dismantled:	yes
Indications, e.g.:	apical resection osteotomy sequestrotomy bone modelling and bone smoothing extraction of wisdom teeth

\* also Stryker system

## Surgical contra-angle handpieces with mini LED+ and W&H connection



Type:	WS-75 L	WS-56 L	WS-92 L	WS-91 L
Transmission ratio:	20:1	1:1	1:2.7	1:2.7
Coupling system:	W&H EM-19 LC / EM-19			
Lighting system:	mini LED+			
External spray:	single			triple
Internal bur cooling system:	Kirschner/Meyer	–	–	–
Chucking system:	push-button chuck			
Rotary instruments:	for surgical burs and cutters with contra-angled shank Ø 2.35 mm		FG shank Ø 1.6 mm	
Maximum drive speed:	50,000 min <sup>-1</sup>			
Can be dismantled:	yes			
Indications, e.g.:	preparation of the implant site implant insertion	osteotomy sequestrotomy germectomy hemisection	for improved access in the premolar and molar region	



Type:	SA-310
Mains voltage:	220 – 240 V / 100 – 130 V
Permissible voltage fluctuation:	±10 %
Rated current:	0.1 – 0.9 A / 0.1 – 1.8 A
Frequency:	50 – 60 Hz
Mains fuse (2 pcs):	250 V – T1.6AH
Maximum power consumption:	180 VA
Maximum power output:	100 W
Maximum torque at motor:	7 Ncm
Motor speed range in the rated voltage range:	300 min <sup>-1</sup> – maximum 50,000 min <sup>-1</sup> , safety stop at 40,000 min <sup>-1</sup>
Coolant flow volume at 100%:	at least 90 ml/min
Length of motor cable:	1.8 m / 3.5 m
Dimensions in mm (height x width x depth):	109 x 256 x 305
Foot control:	S-N1
Straight and contra-angle handpieces:	ISO connection 3964 (DIN 13940)

## Surgical handpieces with mini LED+ and generator



Type:	S-9 L G	S-11 L G
Transmission ratio:	1:1	
Coupling system:	ISO 3964 (DIN 13940)	
Lighting system:	mini LED+	
Power supply:	via independent generator	
Light quality:	daylight	
Spray:	external	
Chucking system:	lever chuck	
Rotary instruments:	for surgical burs and cutters Ø 2.35 mm*	
Permitted bur length:	45 mm	
Maximum drive speed:	40,000 min <sup>-1</sup>	
Can be dismantled:	yes	
Indications, e.g.:	apical resection osteotomy apical trepanning bone modelling	

\* also Stryker system

## Surgical handpieces without light



Type:	S-9 / S-11	S-15	S-10	S-12
Transmission ratio:	1:1	1:1	1:1	1:2
Coupling system:	ISO 3964 (DIN 13940)			
Spray:	external			
Chucking system:	lever chuck			
Rotary instruments:	for surgical burs and cutters Ø 2.35 mm*			
Permitted bur length:	45 mm		70 mm	
Maximum drive speed:	50,000 min <sup>-1</sup>	30,000 min <sup>-1</sup>	50,000 min <sup>-1</sup>	40,000 min <sup>-1</sup>
Can be dismantled:	yes			
Indikation, z. B.:	apical resection osteotomy apical trepanning bone modelling	osteotomy for difficult to access areas	osteotomy fenestration osteosynthesis in distal areas	

\* also Stryker system

## Surgical contra-angle handpieces with mini LED+ and generator



Type:	WS-75 L G	WS-56 L G	WS-91 L G	WS-92 L G
Transmission ratio:	20:1	1:1	1:2.7	1:2.7
Coupling system:	ISO 3964 (DIN 13940)			
Lighting system:	mini LED+			
Power supply:	via independent generator			
Light quality:	daylight			
External spray:	single		triple	
Internal bur cooling system:	Kirschner/Meyer	–	–	–
Chucking system:	push-button chuck			
Rotierende Instrumente:	for surgical burs and cutters with			
	contra-angled shank Ø 2.35 mm		FG shank Ø 1.6 mm	
Maximum drive speed:	40,000 min <sup>-1</sup>			
Can be dismantled:	yes			
Indications, e.g.:	implantation osteotomy	maxillary and mandibular osteotomy germectomy sequestrotomy	hemisection extraction of wisdom teeth	

## Surgical contra-angle handpieces without light



Type:	WS-75 (WI-75 E/KM*)	WS-56	WS-91	WS-92
Transmission ratio:	20:1	1:1	1:2.7	1:2.7
Coupling system:	ISO 3964 (DIN 13940)			
External spray:	single		triple	
Internal bur cooling system:	Kirschner/Meyer	–	–	–
Chucking system:	push-button chuck			
Rotary instruments:	for surgical burs and cutters with			
	contra-angled shank Ø 2.35 mm		FG shank Ø 1.6 mm	
Maximum drive speed:	50,000 min <sup>-1</sup>			
Can be dismantled:	yes			
Indications, e.g.:	implantation osteotomy	maxillary and mandibular osteotomy germectomy sequestrotomy	hemisection extraction of wisdom teeth	

\* WI-75 E/KM: as WS-75, cannot be dismantled

## Prosthodontic screwdriver IA-400



Handpiece drive IA-40 H	
Battery type:	Li-Ion
Battery voltage:	3.7 V
Rated capacity:	680 mAh
Speed of the instrument:	25 min <sup>-1</sup>
Torque:	8 – 40 Ncm
Charging time:	approx. 100 minutes
Battery capacity:	approx. 40 screws at average torque
Weight:	90 g

Charging station	
Mains voltage:	220 – 240 V
Frequency:	50 – 60 Hz
Rated current:	0.08 – 0.12 A
Power:	5 W
Weight:	345 g

Contra-angle handpiece IA-80*	
Type:	IA-80
Transmission ratio:	80:1
Coupling system:	W&H special coupling



\* The contra-angle handpiece IA-80 is thermo washer disinfectable and sterilizable up to 135 °C



## Surgical saw handpieces



Type:	S-8 R	S-8 0	S-8 S
Transmission ratio:	3.25:1	3.4:1	3.25:1
Coupling system:	ISO 3964 (DIN 13940)		
Strokes / angles:	1,8 mm	12°	3°
Frequency (strokes/min.):	12,300	11,800	12,300
Maximum drive speed:	40 000 min <sup>-1</sup>		
Can be dismantled:	yes		

## Accessories for Implantmed, Elcomed and Piezomed



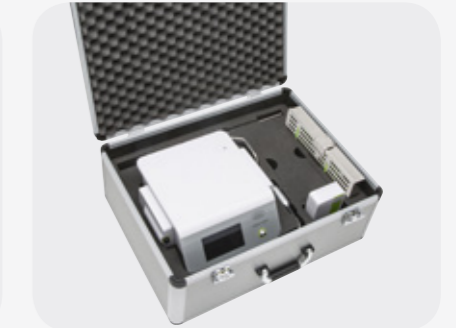
### Coolant hose

- > Precise fit
- > Save time for your dental assistants
- > Safety for your Implantmed



### Surgical trolley

- > Your W&H control units in one compact location
- > Space-saving
- > Mobile



### Transportation case

- > Securely packed for travel
- > Space for Implantmed, foot control, W&H Osstell ISQ module, straight and contra-angle handpieces
- > Also available for Elcomed and Piezomed

## Piezomed



Type:	SA-320
Mains voltage:	220 – 240 V / 100 – 130 V
Permissible voltage fluctuation:	±10 %
Rated current:	0.1 – 0.5 A / 0.1 – 1.0 A
Frequency:	50 – 60 Hz
Maximum power consumption:	90 VA
Maximum power output:	24 W
Operating frequency:	22 – 35 kHz
Coolant flow volume at 100%:	at least 50 ml/min
Length of handpiece cable:	1.8 m / 3.5 m
Dimensions in mm (height x width x depth):	109 x 256 x 305
Foot control:	S-N1 S-NW with SPI Dongle

Notes

Notes

# Oral surgery & implantology

Pictures are for illustrative purposes only. Additional equipment and accessories shown are not included as standard.

Scan the QR code  
with your mobile phone  
for more information  
on our products



**W&H Dentalwerk Bürmoos GmbH**  
Ignaz-Glaser-Straße 53, Postfach 1  
5111 Bürmoos, Austria  
t +43 6274 6236-0  
f +43 6274 6236-55  
office@wh.com  
wh.com

20452 AEN Rev. 002 / 22.01.2018  
Subject to alterations